

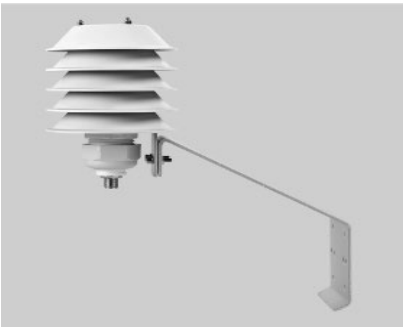
GMP252 Carbon Dioxide Probe with DTR250A Radiation Shield for Outdoor Measurements



GMP252 Probe

GMP252 Features/Benefits:

- Measurement range of 0 ... 10,000 ppm CO₂
- Operating temperature range of -40 ... +60 °C (-40 ... +140 °F)
- Supports analog and digital outputs, or can be paired with an Indigo transmitter for additional features
- Heated sensor head to prevent condensation
- Active temperature compensation measurement, also compensates for pressure, O₂, and humidity
- IP65 classified housing; suitable for outdoor or harsh environments when installed with DTR250 radiation shield
- Compatible with Vaisala's [Insight PC Software](#) through USB connection
- Traceable calibration certificate included



DTR250A Radiation Shield with Mast installation Kit

DTR250A Features/Benefits:

- Protects the GMP252 probe from solar radiation, precipitation, and other outdoor elements
- Includes the DTR250 Radiation Shield, as well as a pole mounting kit

Summary:

Carbon dioxide probe shall incorporate a second generation CARBOCAP® NDIR sensor. Accuracy (including repeatability and non-linearity) at 25 °C (77 °F) and 1013 hPa between 0 ... 3000 ppm CO₂ shall be ± 40 ppm CO₂. Operating humidity range shall be from 0 ... 100 %RH, non-condensing; sensor head shall have option to be heated to prevent condensation. Operating temperature range is -40 ... 60 °C (-40 ... 140 °F). Long term stability shall be < ± 60 ppm/yr between 0 ... 3000 ppm. The probe shall be resistant to dust and most chemicals, such as as H₂O₂ (up to 2000 ppm, non-condensing). Analog outputs shall be scaled 0 ... 5/10 V or 0/4 ... 20 mA and correspond to the selected output scaling; digital outputs shall be Modbus® RTU or Vaisala Industrial protocol over RS-485. Operating voltage shall be 12 ... 30 VDC for digital or voltage outputs, or 20 ... 30 VDC with current outputs in use. Power consumption is typically 0.4 W and no greater than 0.5 W.